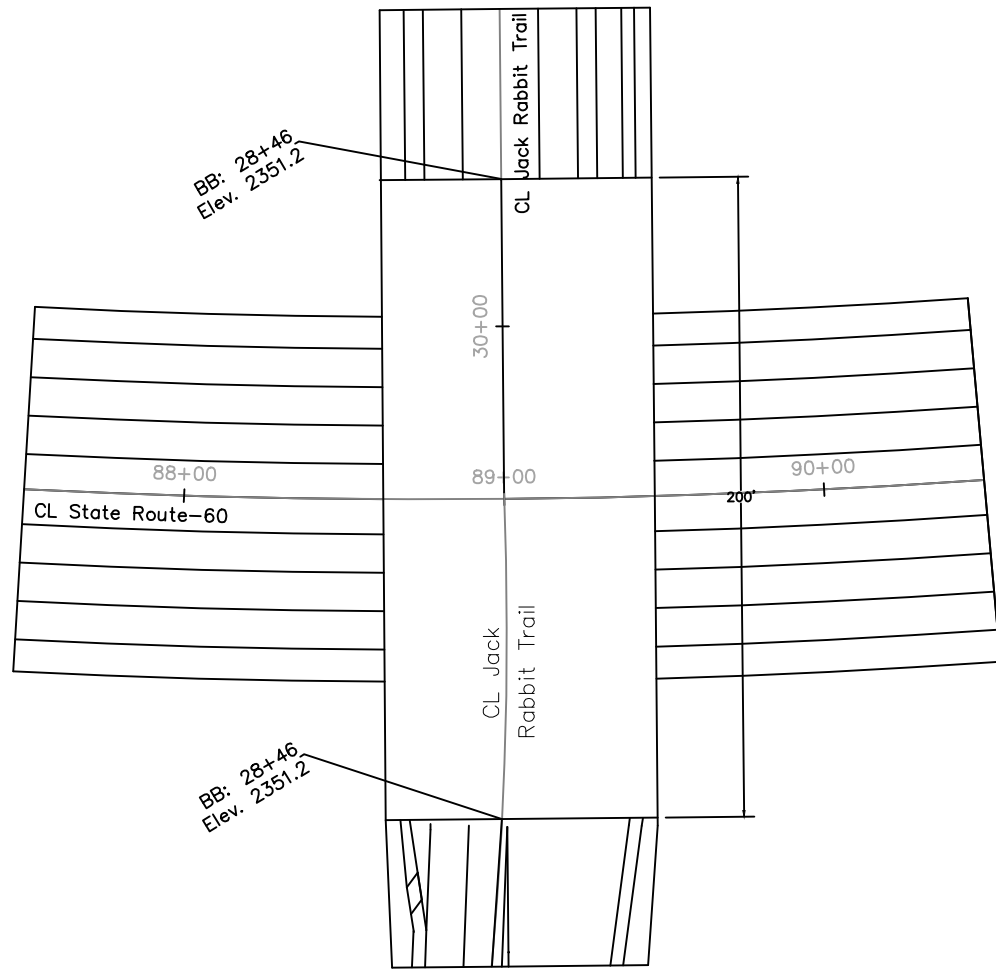
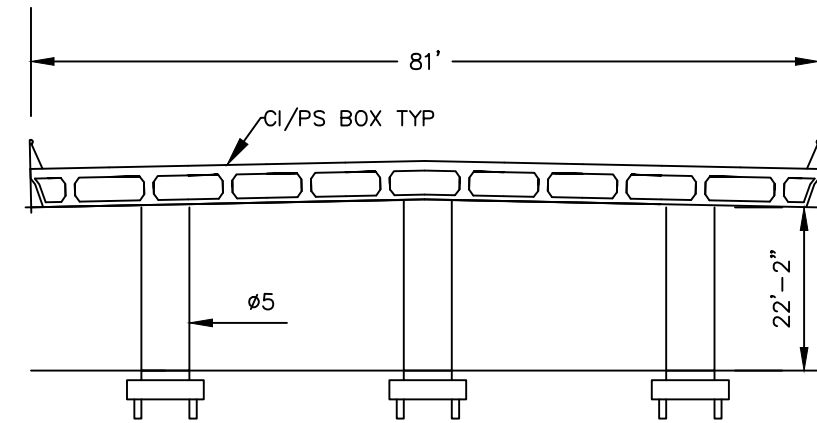


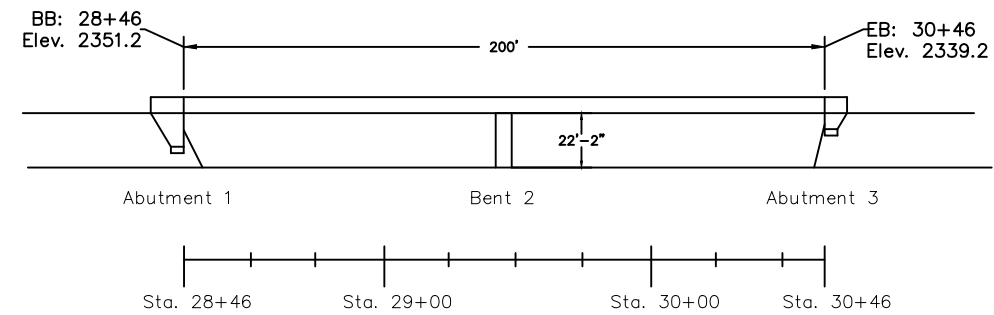
ROUNDBOUT INTERCHANGE



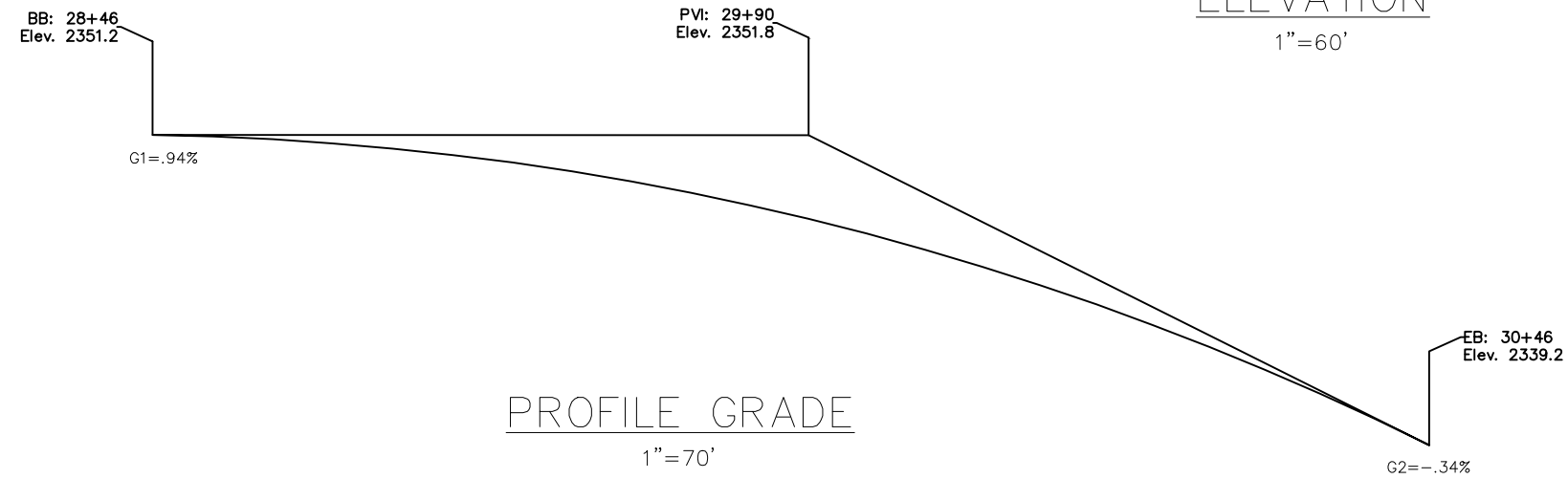
PLAN
1"=60'



TYPICAL SECTION
1"=20'



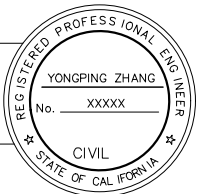
ELEVATION
1"=60'



PROFILE GRADE
1"=70'

PROJECT ENGINEER
REGISTERED CIVIL ENGINEER

DATE



PLANS APPROVAL DATE

THE STATE OF CALIFORNIA OR ITS OFFICERS OR AGENTS SHALL NOT BE RESPONSIBLE FOR THE ACCURACY OR COMPLETENESS OF SCANNED COPIES OF THIS PLAN SHEET.

ADVANCED PLANNING STUDY

CAL POLY POMONA
SENIOR DESIGN PROJECT



AN ACADEMIC STUDY IN PARTNERSHIP WITH CALTRANS DISTRICT 8

DESIGN CONSULTANT FIRM	PROJECT MANAGERS		PROJECT ENGINEERS						
			DONALD CALVERT	MENGLU CAO	ANDREW CRUTCHFIELD	BRYAN ESPARZA	CHRIS ESTEVAN	ISABEL GOMEZ	STEVEN GUTIERREZ
CAL POLY POMONA	JEFFREY LAMBERT	CONNER L'HOMMEDIEU	ROY KIM	ANDREW KOSCAL	JONATHAN LEE	BENGANG LI	XUQING LIANG	ROSA MEDINA	KIMILEE MURILLO
	JOSHUA MEDINA	FRANK VILLAGOMEZ	DANG NGUYEN	ELIZABETH NGUYEN	KEVIN NGUYEN	SEAN OLIVER	RUBY PELAYO	RYAN PRESTON	PEYTON YOUNG