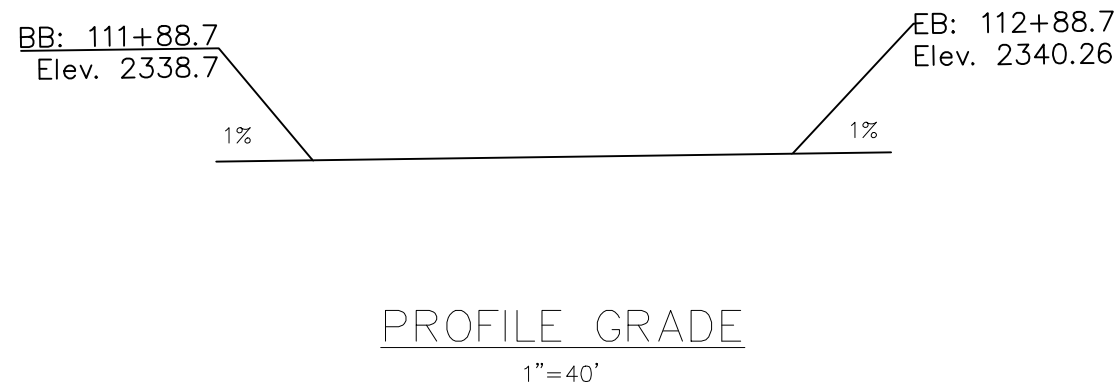
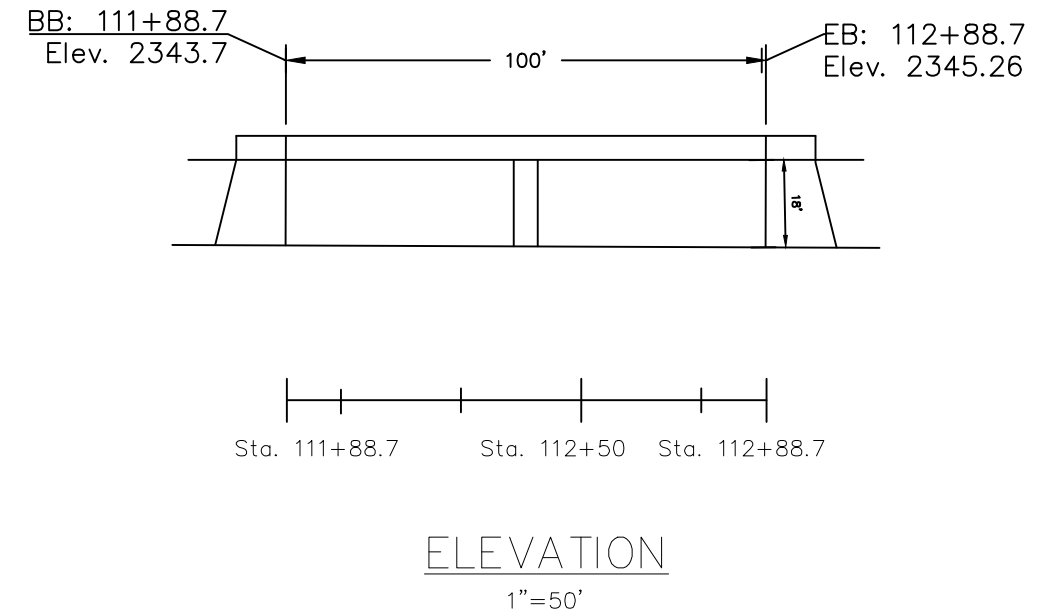
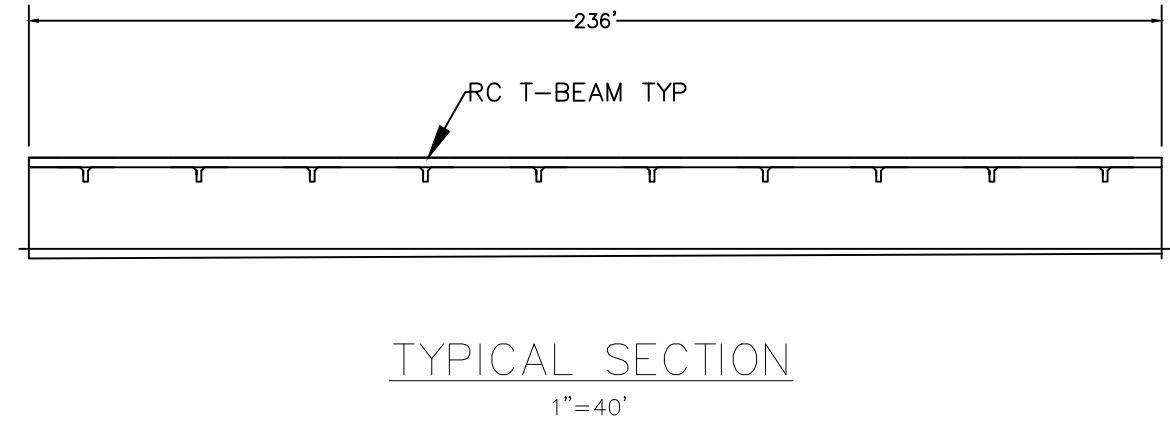
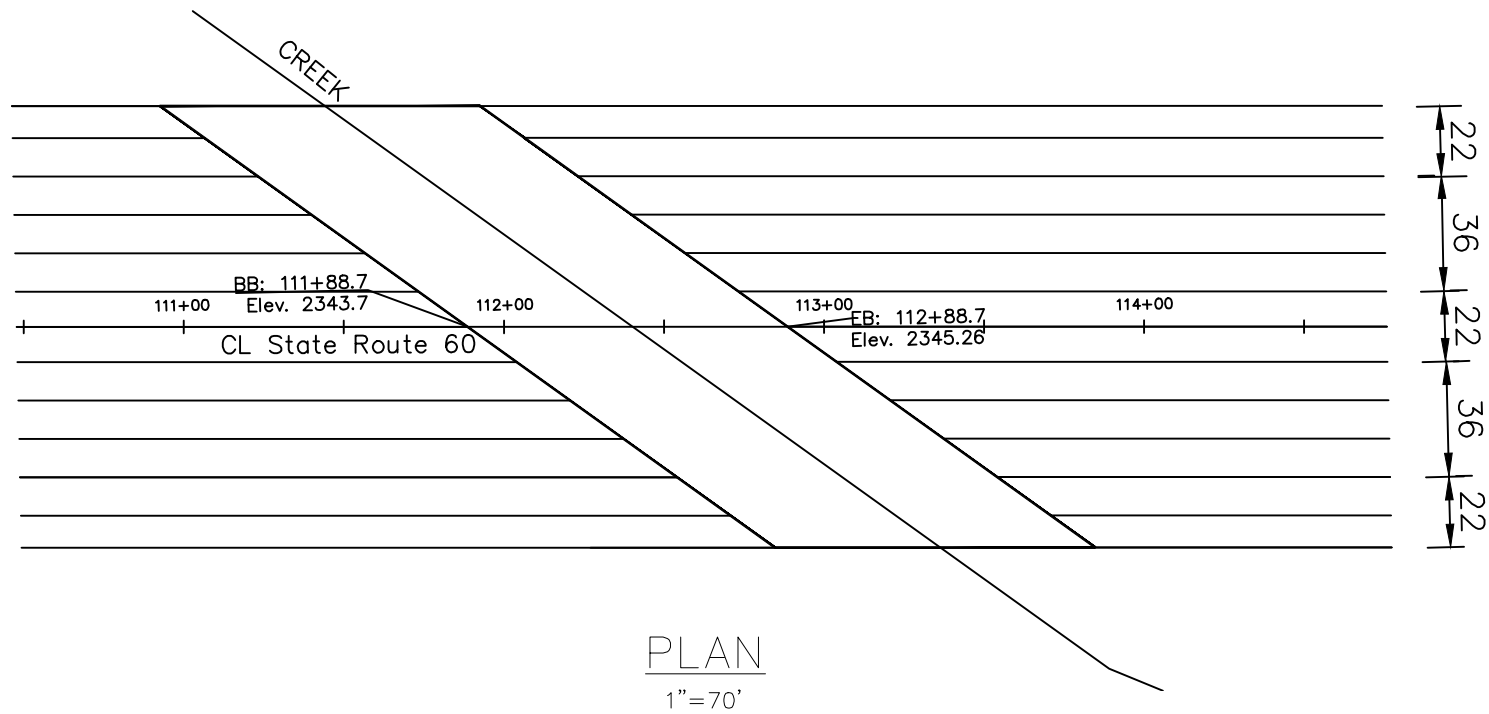


# SAN TIMOTEO CREEK BRIDGE NO. 56-65



PROJECT ENGINEER \_\_\_\_\_ DATE \_\_\_\_\_  
 REGISTERED CIVIL ENGINEER  
 YONGPING ZHANG  
 No. XXXXX  
 CIVIL  
 STATE OF CALIFORNIA

PLANS APPROVAL DATE \_\_\_\_\_  
 THE STATE OF CALIFORNIA OR ITS OFFICERS OR AGENTS SHALL NOT BE RESPONSIBLE FOR THE ACCURACY OR COMPLETENESS OF SCANNED COPIES OF THIS PLAN SHEET.

DESIGN CONSULTANT FIRM  CAL POLY POMONA		PROJECT MANAGERS JEFFREY LAMBERT    CONNER L'HOMMEDIEU JOSHUA MEDINA    FRANK VILLAGOMEZ		PROJECT ENGINEERS						ADVANCED PLANNING STUDY	
				DONALD CALVERT	MENGLU CAO	ANDREW CRUTCHFIELD	BRYAN ESPARZA	CHRIS ESTEVAN	ISABEL GOMEZ	STEVEN GUTIERREZ	CAL POLY POMONA SENIOR DESIGN PROJECT
		ROY KIM	ANDREW KOSCAL	JONATHAN LEE	BENGANG LI	XUQING LIANG	ROSA MEDINA	KIMILEE MURILLO	AN ACADEMIC STUDY IN PARTNERSHIP WITH CALTRANS DISTRICT 8		
		DANG NGUYEN	ELIZABETH NGUYEN	KEVIN NGUYEN	SEAN OLIVER	RUBY PELAYO	RYAN PRESTON	PEYTON YOUNG			